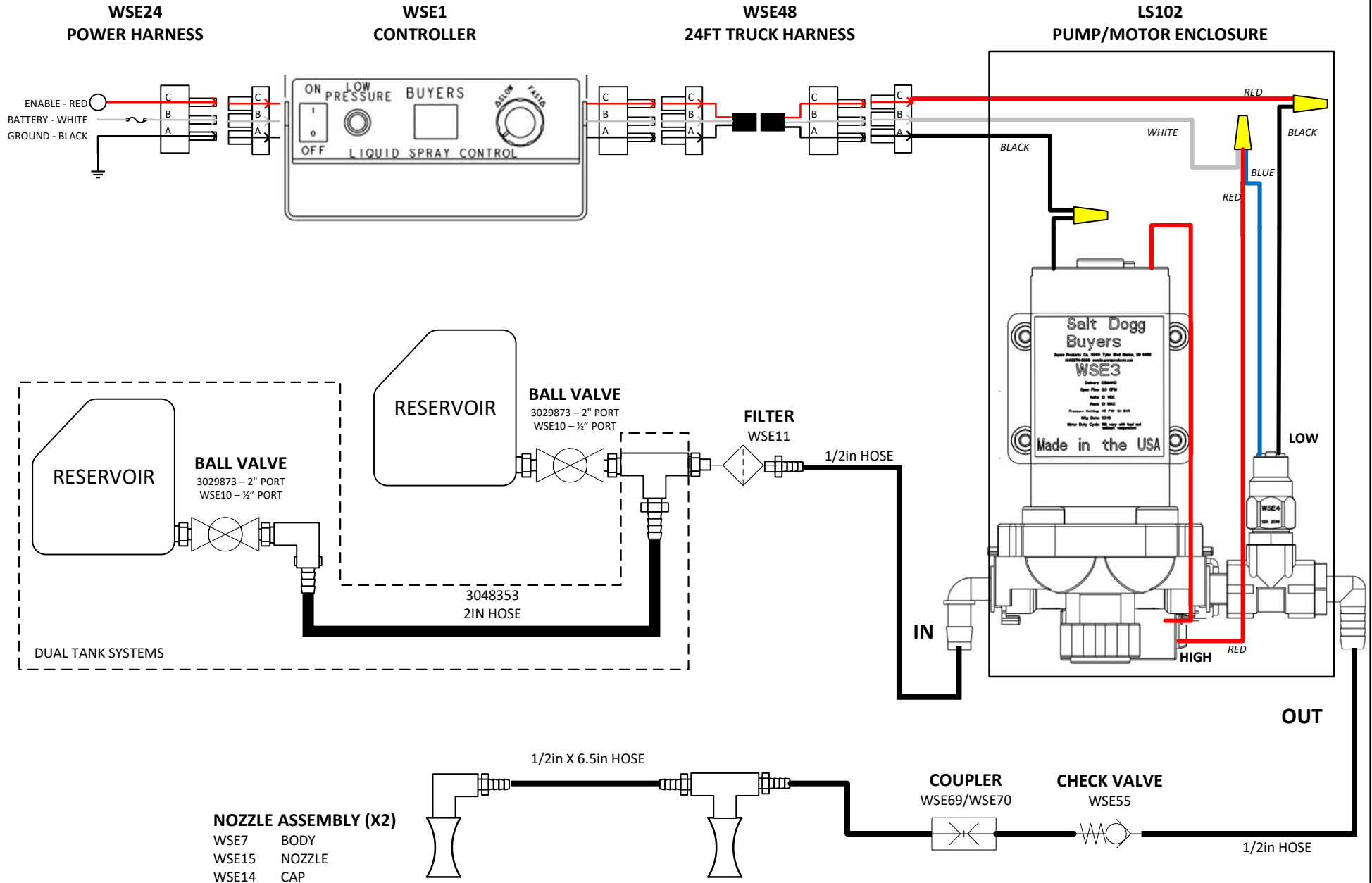
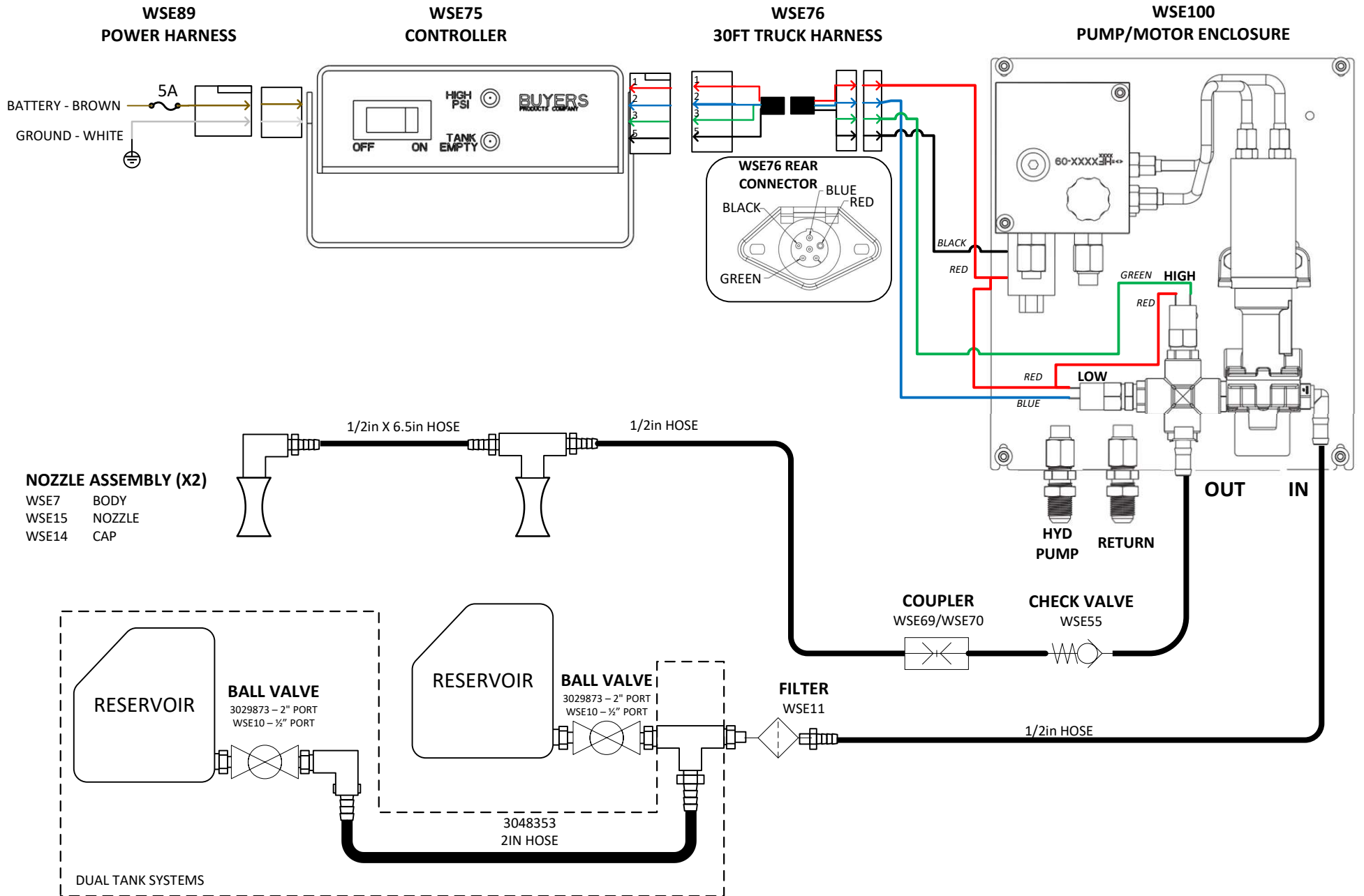


ELECTRONICALLY CONTROLLED VARIABLE PREWET FLOW



ON/OFF CONTROL OF MANUALLY ADJUSTED PREWET FLOW





LS WIRING AND PLUMBING

APPLIES TO ALL HYDRAULIC LS SYSTEMS WITH FLOWMETER (LSxxF)

CLOSED LOOP FLOW CONTROL – CONTROLLER NOT INCLUDED

MATE WITH WEATHERPACK
3-PIN SHROUD

A - +12V
B - GND
C - SIGNAL

2000 PULSES PER GALLON

FLOWMETER
FEEDBACK

3046108
PUMP/MOTOR ENCLOSURE

